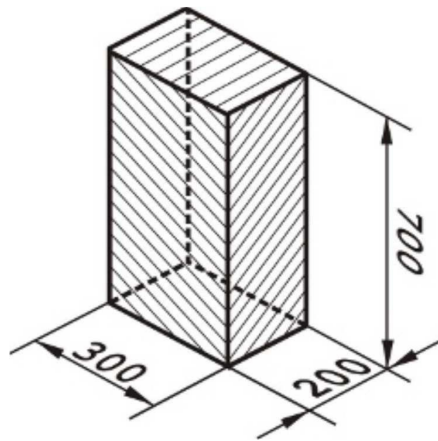


ADSA Field Test Box Specification

The ADSA field test box has dimensions of 0.7m (h) x 0.3m (w) x 0.2m (d).
Two sides that meet & one end are matt black.
The other two sides and other end are matt grey.



KEY



Grey (RAL 7040 matt) two vertical sides and one end



Black (RAL 9004 matt) other two vertical sides and other end

The reference body CA (more commonly known as the box test) is specified in BS EN 16005 however there has been uncertainty about the suitability of the test body for field testing, this is due to the close tolerances of the specified reflective surfaces and the changes that quickly occur to these surfaces when used in a field environment.

The ADSA technical team has sought clarification from the European Standards convenor and he advises that the test object CA is used for laboratory testing. He also acknowledges that there needs to be a suitable way to field test sensors, while some manufacturers may specify this object for field testing it is not compulsory to use it. Therefore ADSA are able to specify a test object which is more suitable for field testing provided it adequately serves this purpose.

We have now specified the attached test object, which replicates the size of the BS EN 16005 with black and Grey surfaces without any reflectivity tolerances.